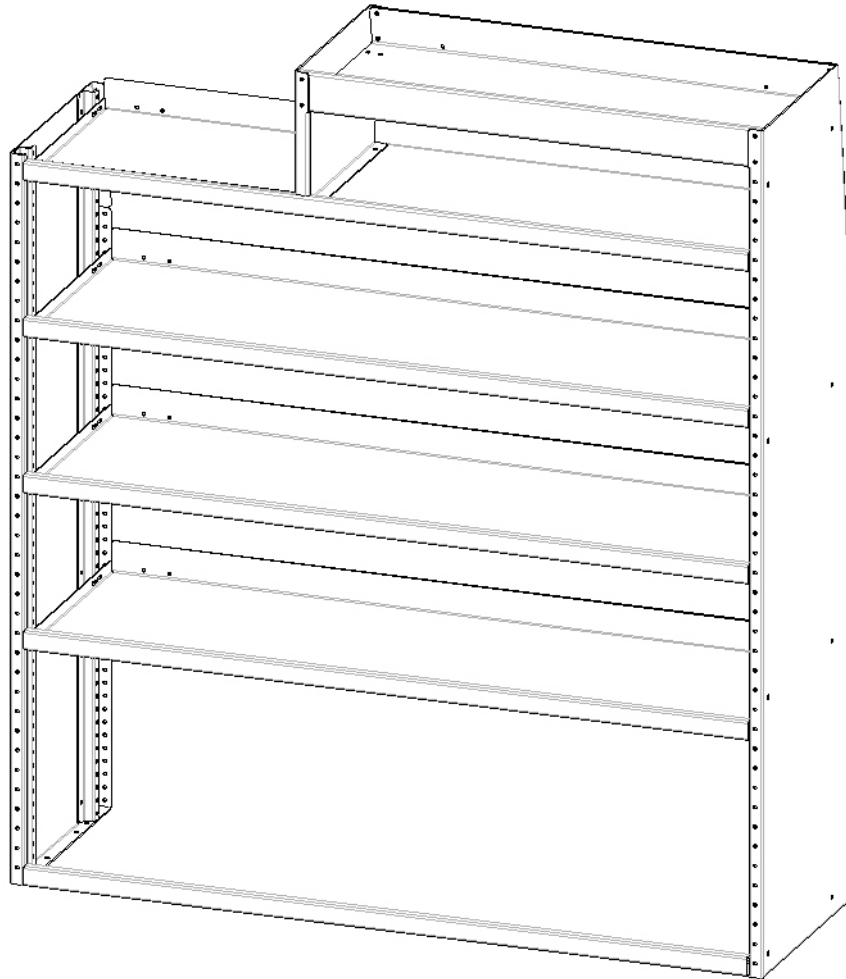

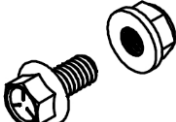

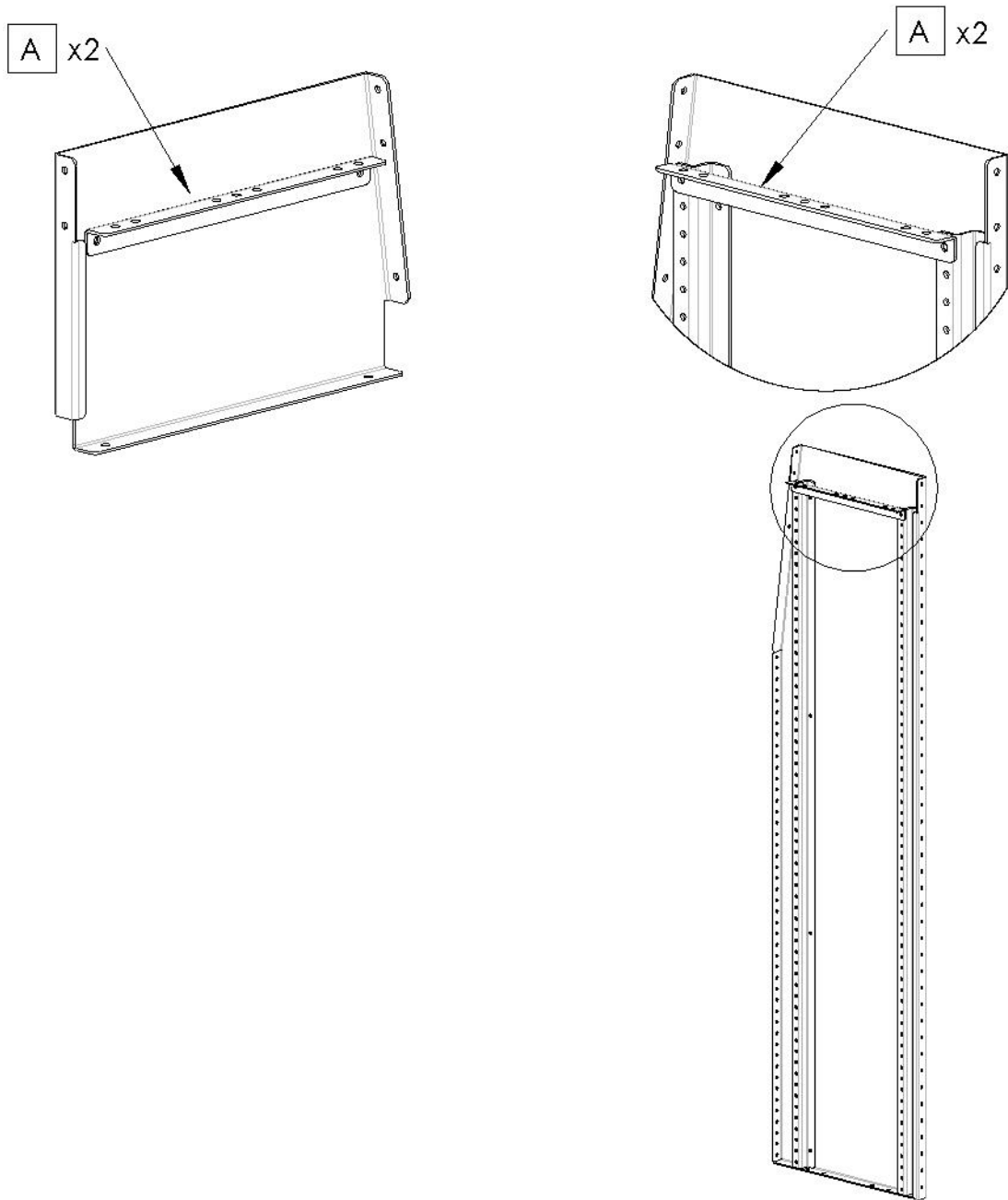


Assembly Guide

Single Section Tapered Shelving
with Notched Top Tray



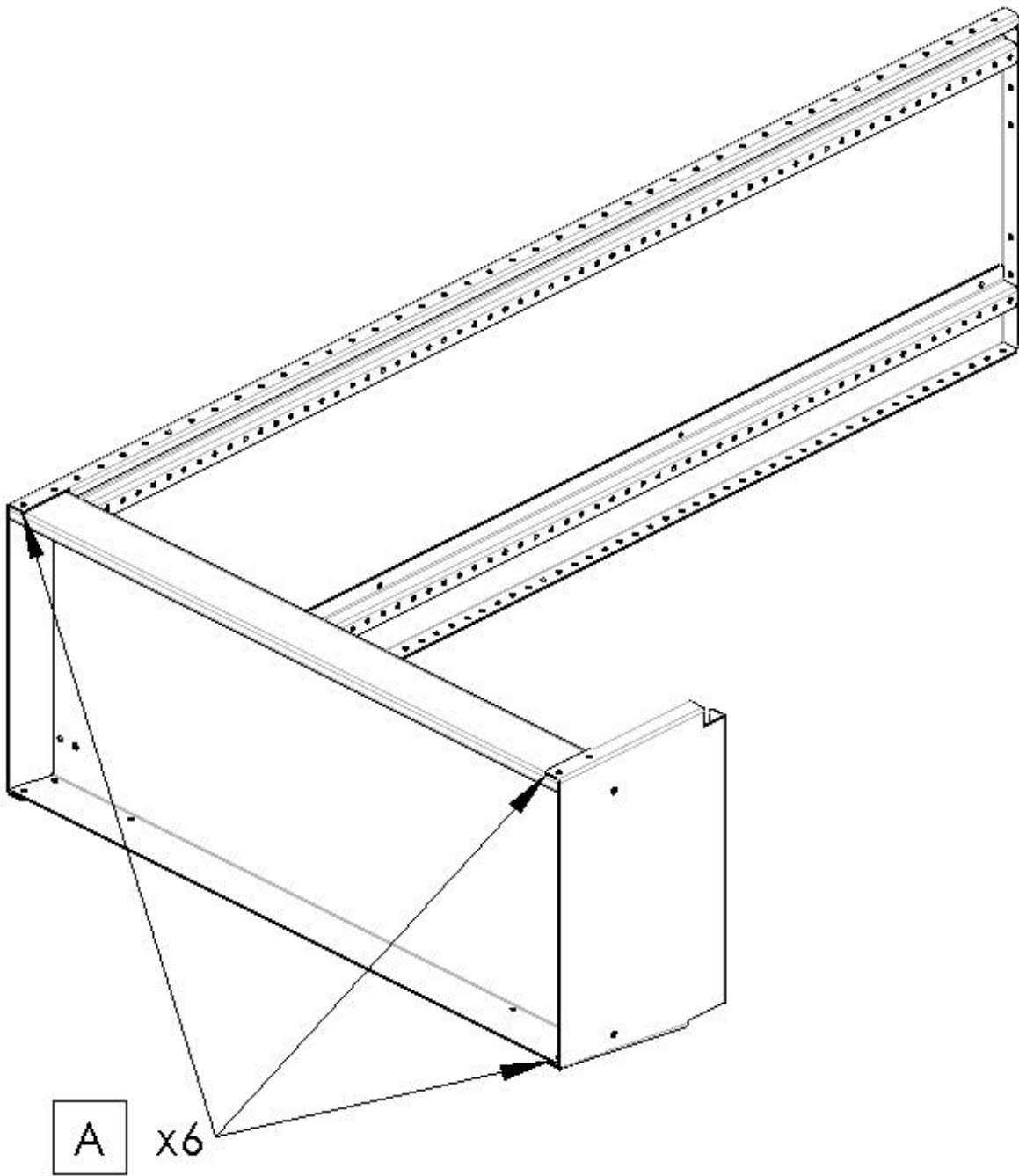
	A ¼-20 x 5/8" Pan Head Bolt		B ¼-20 x 5/8" Hex Head Flanged Bolt		C #10 x 1" Self-drilling Tek Screw
---	---------------------------------------	---	--	--	--



Step 1

- Bolt one L-bracket to the full-length End Panel flush to the top of the rails
- Bolt the other L-bracket to the Half-Shelf End Panel

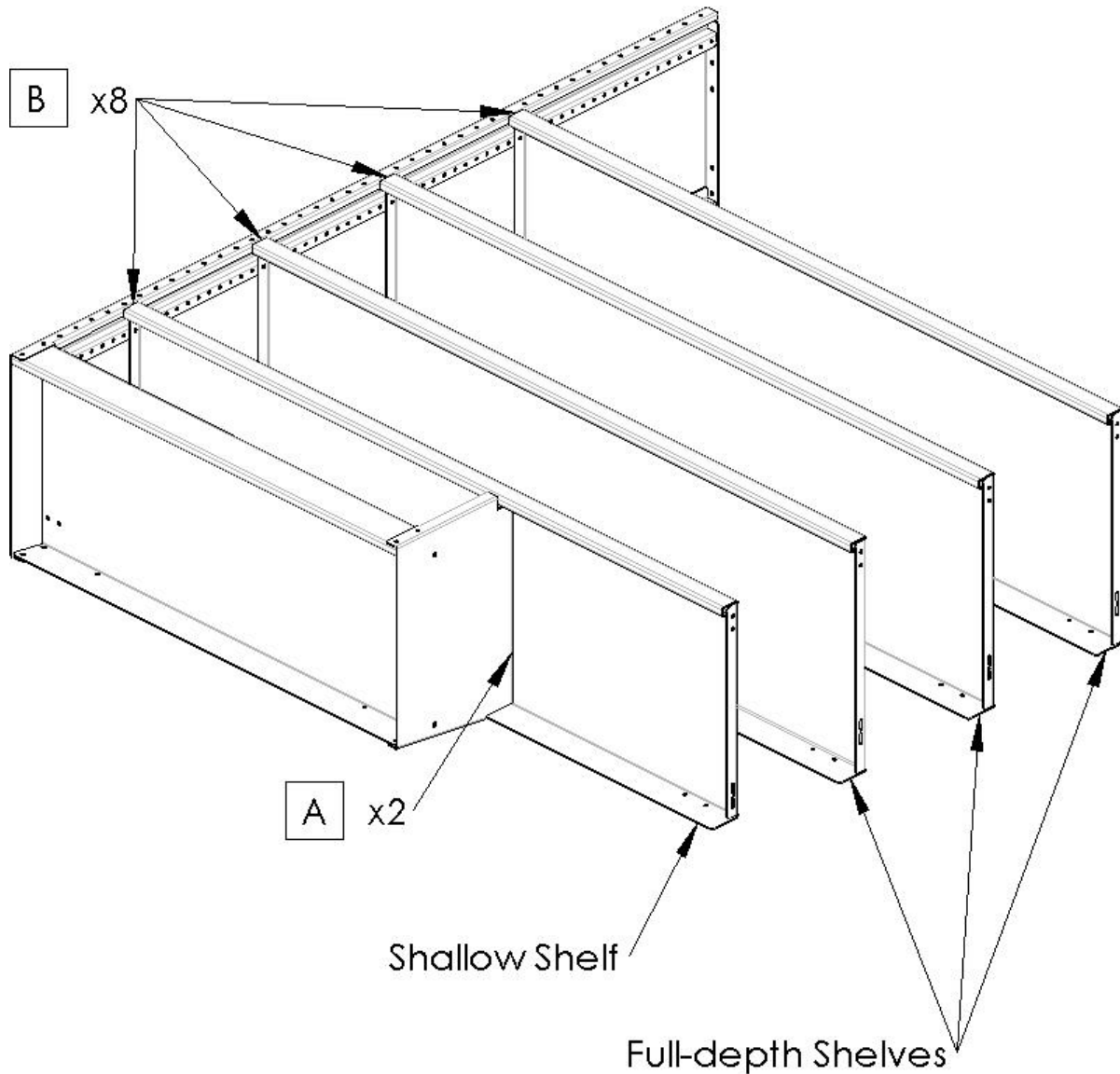
Note: See fully assembled diagram of your shelving unit for reference.



Step 2

- Arrange the full End Panel, Half-Shelf End Panel, and Top Tray face down on the ground and bolt them together (shown here as face up).

Note: So far, only three corners are fastened as shown. The back corner of the full-length End Panel remains unbolted.

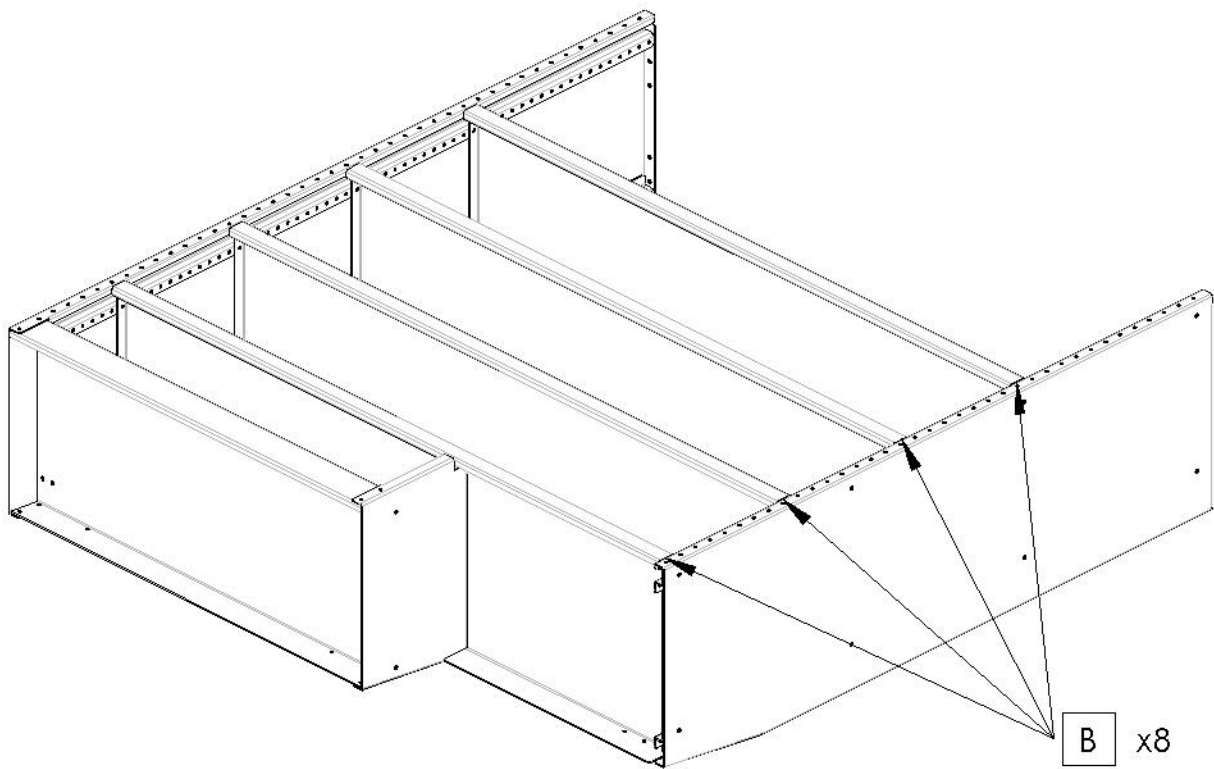


Step 3

- Bolt on the Shelves (see spec. sheet for recommended shelf spacing).
- The topmost shelf must be fastened directly to the Half-Shelf End Panel and requires two holes to be drilled for the bolts.

Note:

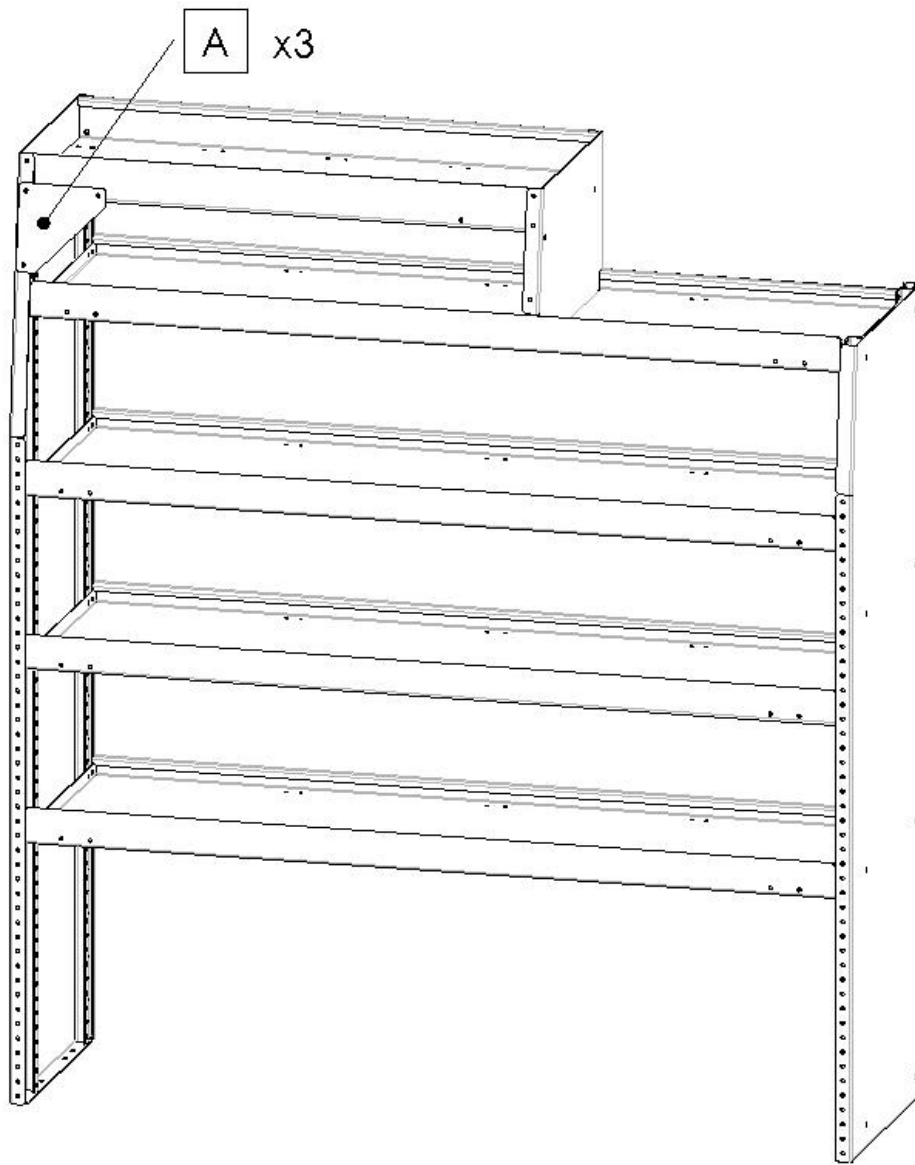
- *Best done with shelving unit face down on a level surface (shown face up here)*
- *Slotted holes on each shelf go to the back rail*
- *Measure and mark on the rails the desired shelf heights*
- *The topmost shelf is shallower. Lower shelves are full depth.*
- *Shelves may be mounted upside down or tilted up/down to fit your needs.*
- *The topmost shelf must be mounted right-side-up.*



Step 4

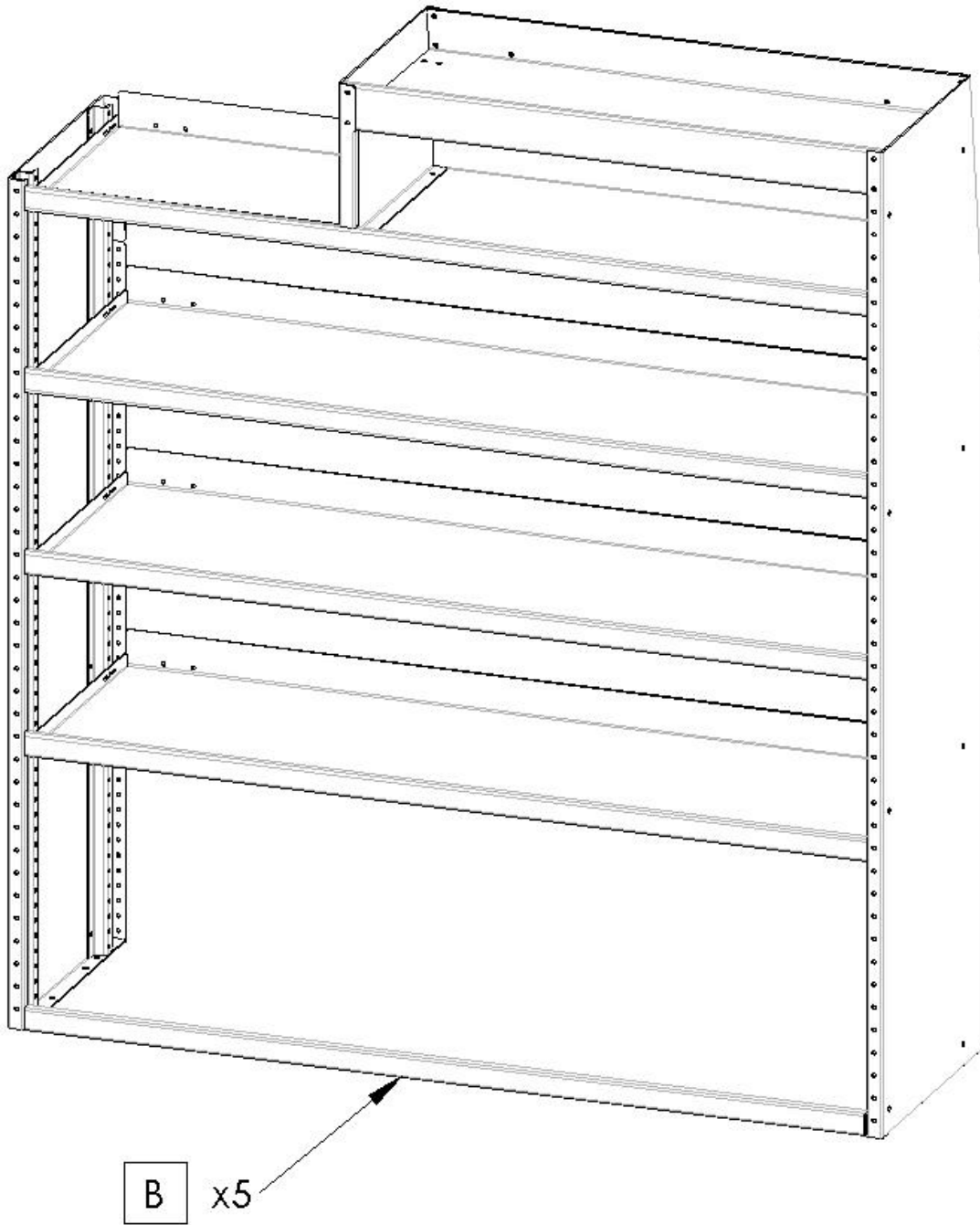
- Bolt on the other (shorter) End Panel

Note: Make sure the bottoms of the End Panels match up.



Step 5

- Stand up the shelving unit and bolt on the Angle Support.



Step 6

- Check all bolts are tight
- Lift the shelving unit into the van and use the provided installation hardware to fasten it to the wall and floor. Follow the install guide.
- Screw the bottom lip to the floor (optional).